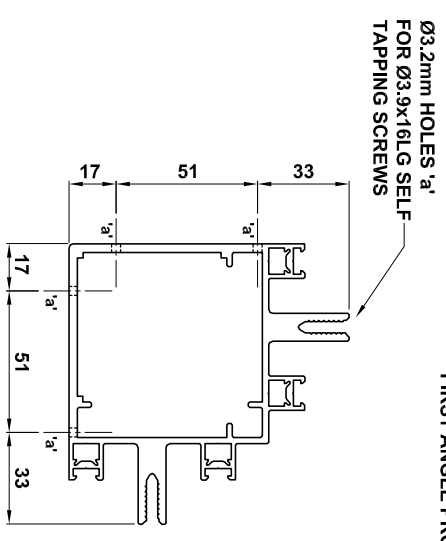
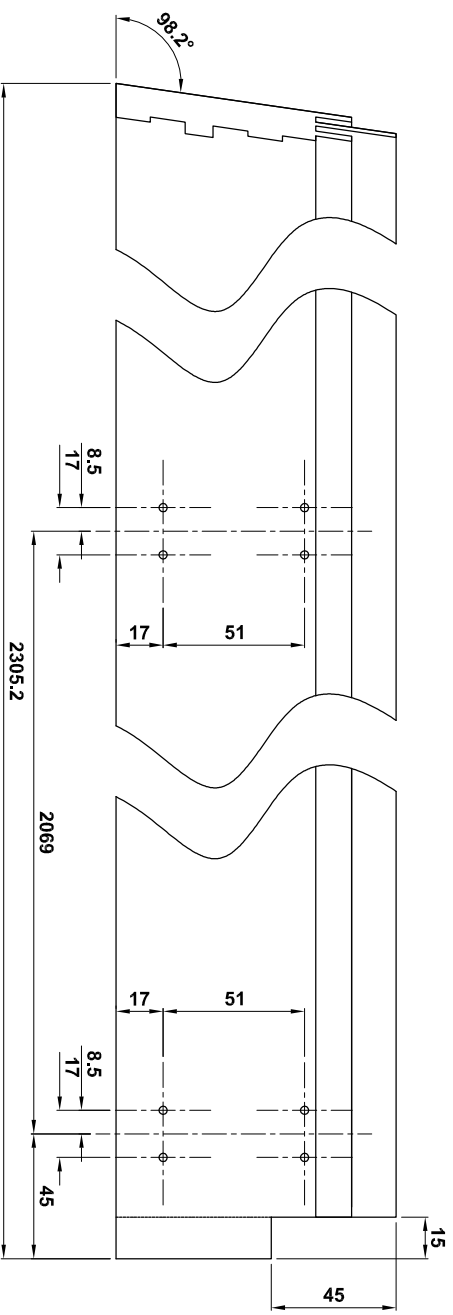


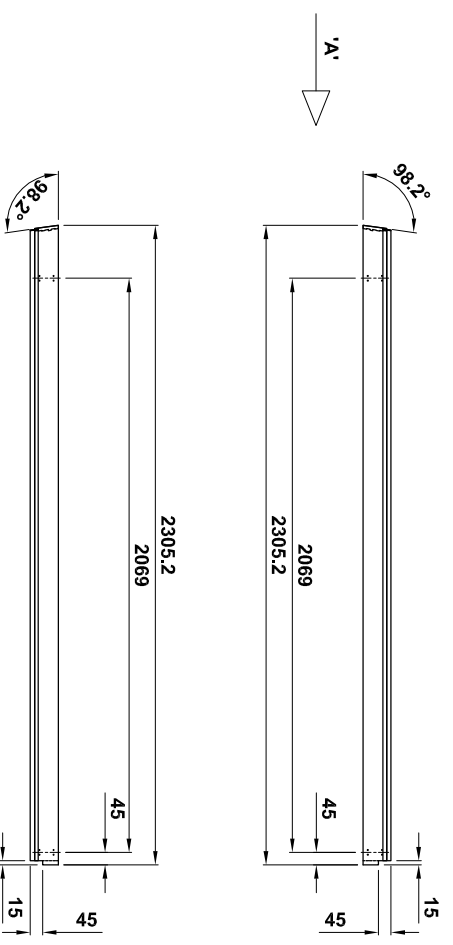
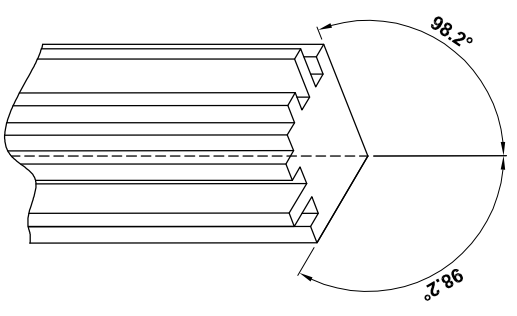
NOTE:  
MULLION: SCHUCO 324 220  
(150mm DEEP)

FINISH:  
SILVER ANODIZED

FIRST ANGLE PROJECTION



VIEW 'A'  
SCALE 1:2



SCALE 1:20

Rev	Date	Init	Description
-	-	-	-

**41 LOTHBURY  
LONDON EC2**  
MULLION FABRICATION - CORNER  
VERTICAL (150mm) - ITEM 'C'

Dwg No.	335-C-1520
Dwg No.	335-C-1519

COMPONENT NO.	LOCATION	QTY.
335-C-1519	ITEM 'C' SOUTH ELEVATION	1-OFF

Dwg No.	335-C-1520
Dwg No.	335-C-1519