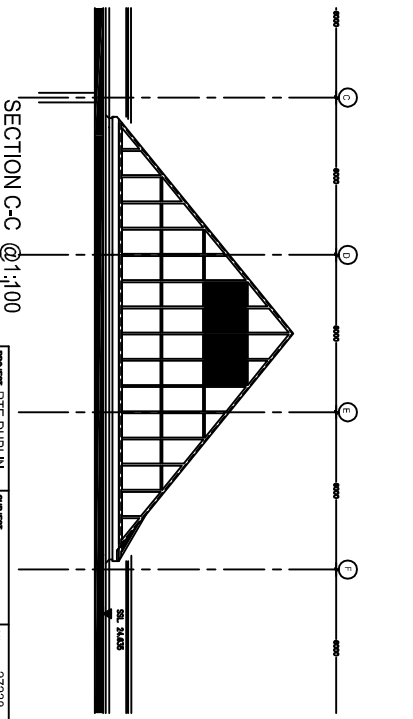
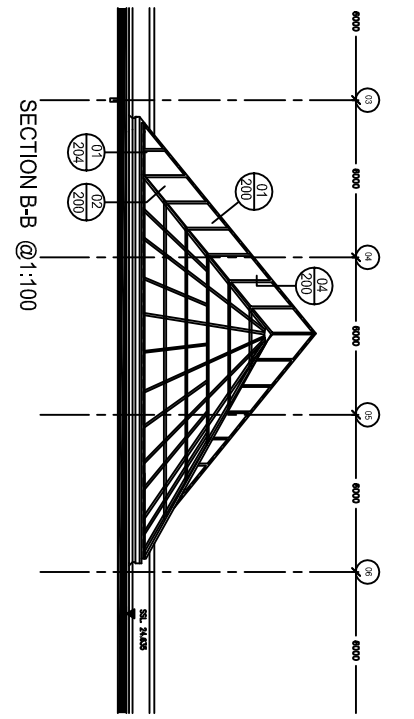
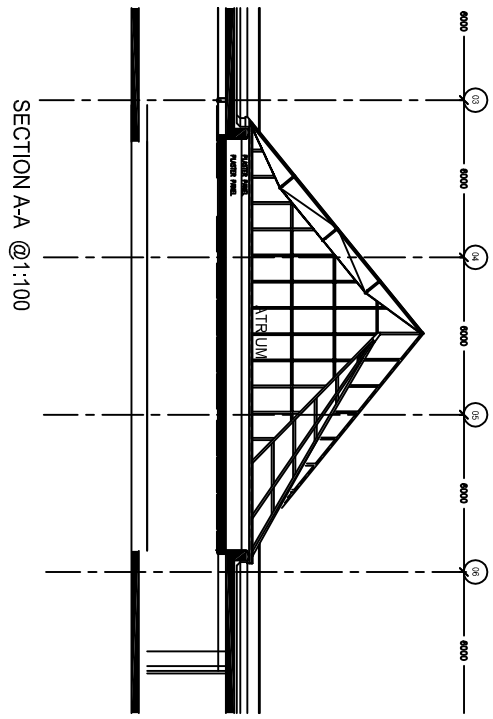


INSULATED ALUMINIUM FLASHING  
 DETAIL TO RC UPSTAND  
 OVERLAY FORMER GLAZING TO CORNE AND  
 TO VERTICAL FACE OF PROUD  
 EQUALX TO BE TYPE 28/31 WITH A SOLAR TRANSMITTANCE OF 31%  
 AND A SHADING COEFFICIENT OF 0.38  
 TRUSS ANCHOR RIBS  
 MINIMUM WORKING LOAD 5000kg  
 MINIMUM WORKING LOAD 5000kg  
 @ JUNCTION OF RIBS & MAIN TRUSSES  
 AUTOMATIC SMOKE VENTS  
 ELECTRICAL CABLE RIMS TO OPERATE SMOKE VENTS  
 WITH COMPALED TRUSSES TO SLAKING MEMBERS  
 GLASS ON TWO VERTICAL FACES OF PROUD TO BE  
 CLEAR GLASS COMPOSED OF OUTER PANE OF 6mm TOUCHED  
 GLASS, 12mm CAVITY AND 6mm INNER PANE LAMINATED GLASS  
 PROFILE OF REINFORCED CONCRETE UPSTAND  
 TO BE CHAMFER INTERNALLY AND FACED EXT  
 TRUSS ANCHOR RIBS  
 MINIMUM WORKING LOAD 5000kg  
 MINIMUM WORKING LOAD 5000kg  
 @ JUNCTION OF RIBS & MAIN TRUSSES  
 INSULATED ALUMINIUM FLASHING  
 DETAIL TO RC UPSTAND  
 OVERLAY FORMER GLAZING TO CORNE AND  
 TO VERTICAL FACE OF PROUD  
 EQUALX TO BE TYPE 28/31 WITH A SOLAR TRANSMITTANCE OF 31%  
 AND A SHADING COEFFICIENT OF 0.38  
 TRUSS ANCHOR RIBS  
 MINIMUM WORKING LOAD 5000kg  
 MINIMUM WORKING LOAD 5000kg  
 @ JUNCTION OF RIBS & MAIN TRUSSES  
 AUTOMATIC SMOKE VENTS  
 ELECTRICAL CABLE RIMS TO OPERATE SMOKE VENTS  
 WITH COMPALED TRUSSES TO SLAKING MEMBERS  
 GLASS ON TWO VERTICAL FACES OF PROUD TO BE  
 CLEAR GLASS COMPOSED OF OUTER PANE OF 6mm TOUCHED  
 GLASS, 12mm CAVITY AND 6mm INNER PANE LAMINATED GLASS  
 PROFILE OF REINFORCED CONCRETE UPSTAND  
 TO BE CHAMFER INTERNALLY AND FACED EXT



REV. B	REVISIED IN LINE WITH DESIGN DEVELOPMENT & ARCH COMMENT	DATE 12.2.99	REV. A	REVISIED IN LINE WITH DESIGN DEVELOPMENT	DATE 12.1.99																		
<table border="1"> <tr> <td>PROJECT RIE DUBLIN</td> <td>SUBJECT TITLE</td> <td>Draw No. 27238</td> </tr> <tr> <td></td> <td>PLAN/ ELEVATIONS</td> <td>Sheet No. 1001B</td> </tr> <tr> <td></td> <td></td> <td>Date 11.99</td> </tr> <tr> <td></td> <td></td> <td>Drawn By</td> </tr> <tr> <td></td> <td></td> <td>Checked By</td> </tr> <tr> <td></td> <td></td> <td>Scale</td> </tr> </table>						PROJECT RIE DUBLIN	SUBJECT TITLE	Draw No. 27238		PLAN/ ELEVATIONS	Sheet No. 1001B			Date 11.99			Drawn By			Checked By			Scale
PROJECT RIE DUBLIN	SUBJECT TITLE	Draw No. 27238																					
	PLAN/ ELEVATIONS	Sheet No. 1001B																					
		Date 11.99																					
		Drawn By																					
		Checked By																					
		Scale																					